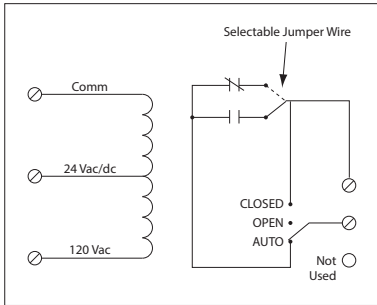


20 AMP TRACK MOUNT CONTROL RELAYS

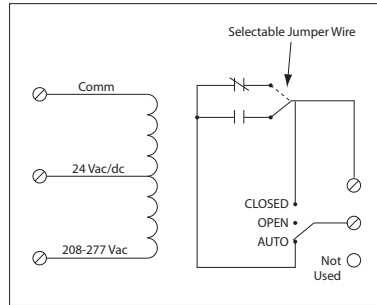
RIBM2401SB

4.00" Track Mount Relay 20 Amp SPST +
Override with 24 Vac/dc/**120 Vac Coil**



RIBM2402SB

4.00" Track Mount Relay 20 Amp SPST +
Override with 24 Vac/dc/**208-277 Vac Coil**



Meets
"Buy American"
of ABRA 2009

RELAYS

SPECIFICATIONS

Relays & Contact Type: One (1) SPST Continuous Duty Coil
Expected Relay Life: 10 million cycles minimum mechanical
Operating Temperature: -30 to 140° F
Humidity Range: 5 to 95% (noncondensing)
Operate Time: 18ms
Relay Status: LED On = Activated
Dimensions: 1.600" x 4.000" x 1.750"
Track Mount: 4.000", See MT4 Series on page 152
Approvals: UL Listed, UL916, UL864, C-UL
 California State Fire Marshal
Gold Flash: No
Override Switch: Yes

Contact Ratings:
 20 Amp Resistive @ 277 Vac
 20 Amp Ballast @ 277 Vac (N/O)
 10 Amp Ballast @ 277 Vac (N/C)
Not rated for Electronic Ballast
 10 Amp Tungsten @ 120 Vac (N/O)
 1110 VA Pilot Duty @ 277 Vac
 770 VA Pilot Duty @ 120 Vac
 2 HP @ 277 Vac
 1 HP @ 120 Vac

Coil Voltage Input:
 24 Vac/dc; 120 Vac; 50-60 Hz (RIBM2401SB)
 24 Vac/dc; 208-277 Vac; 50-60 Hz (RIBM2402SB)
 Drop Out = 2.1 Vac / 3.8 Vdc
 Pull In = 18 Vac / 22 Vdc

Coil Current:
 50 mA @ 18 Vac 33 mA @ 22 Vdc
 83 mA @ 24 Vac 35 mA @ 24 Vdc
 47 mA @ 120 Vac (RIBM2401SB) 47 mA @ 30 Vdc
 69 mA @ 208-277 Vac (RIBM2402SB)

Notes:
 • Normally Open or Normally Closed selected by yellow jumper wire